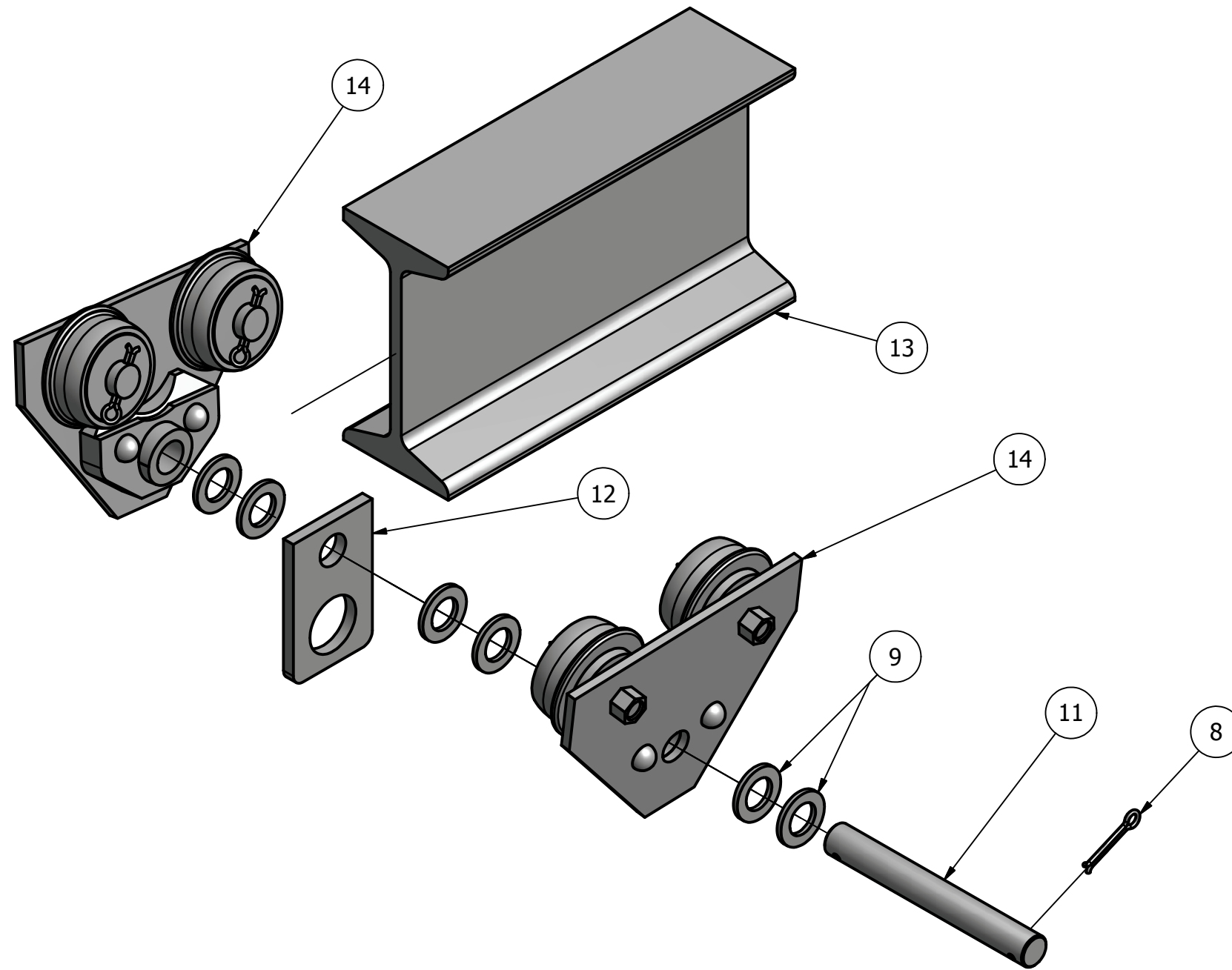


TROLLEY

PARTS LIST

ITEM	QTY	PART NUMBER	DESCRIPTION	MATERIAL
1	2	SIDE PLATE		MST
2	2	GUIDE		CI
3	4	RIVET, BUTTON HEAD	Ø10 X 60LG	DEFAULT
4	4	WHEEL		CI
5	4	AXLE PT7		CRS
6	4	WASHER	26 ID X 65 OD X 3 THK	DEFAULT
7	48	ROLLER BEARING	CASE HARDNING	CRS
8	6	COTTER PIN	Ø6 X 40 LG	DEFAULT
9	12	ADJUSTING WASHER	26 ID X 44 OD X 4 THK	STL
10	4	LOCKNUT	M16 X 2 PREVAILING TORQUE INSERT-TYPE	DEFAULT
11	1	AXLE PT 3		CRS
12	1	HOOK		DEFAULT
13	1	I BEEM	S200 X 34	DEFAULT
14	2	SIDE PLATE SUB-ASSEMBLY	SUB-ASSEMBLY	N/A
15	4	WHEEL SUB-ASSEMBLY	SUB-ASSEMBLY	N/A

DIGITAL DESIGN GRAPHICS TECHNOLOGY	NAME:	JIM KISIEL	DWG NAME: TROLLEY	SHEET NO. 1 OF 6
	COURSE:	DDG 120		
	DATE:	11/18/2010		

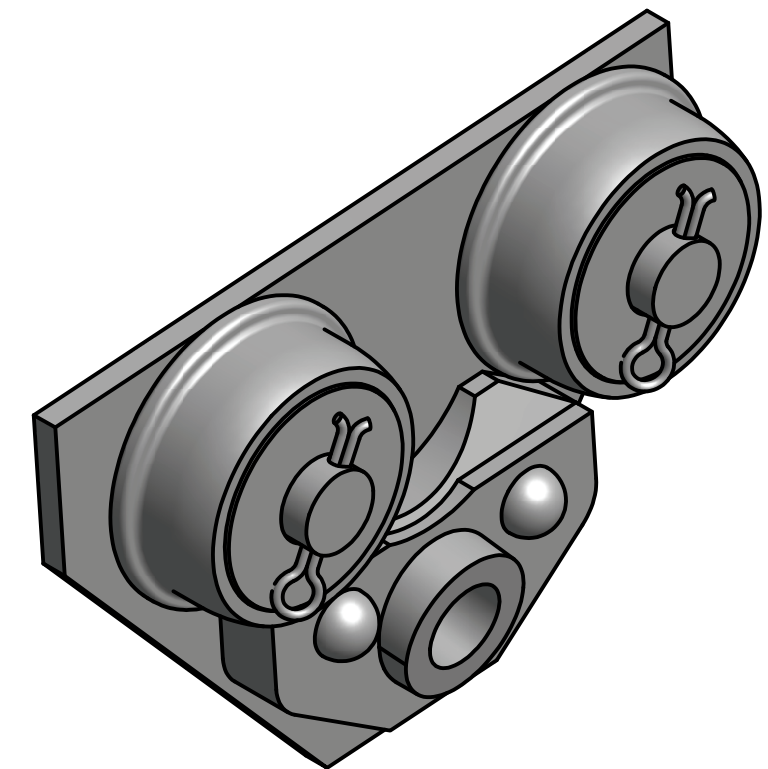
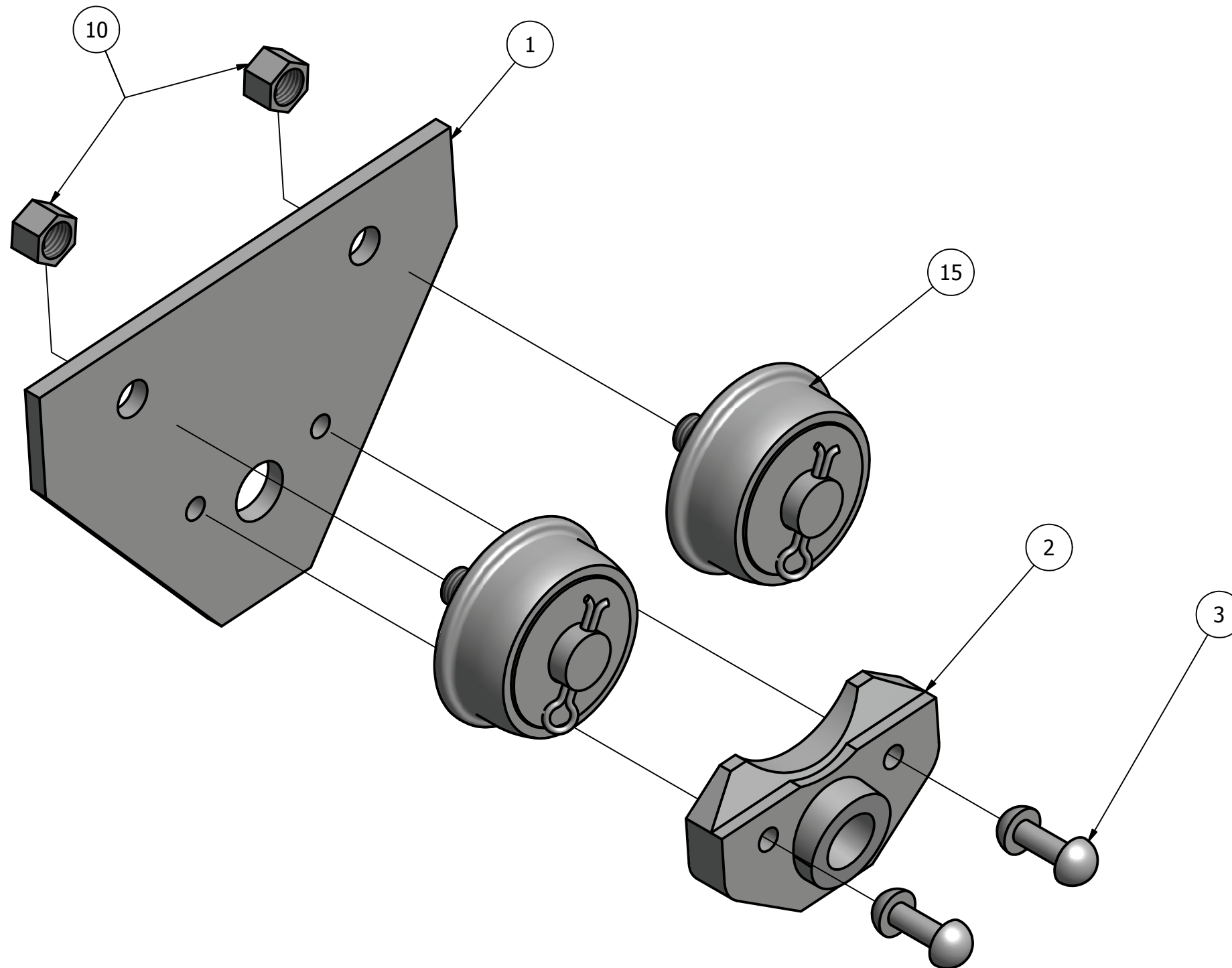


PARTS LIST		
ITEM	QTY	PART NUMBER
8	6	COTTER PIN
9	12	ADJUSTING WASHER
11	1	AXLE PT 3
12	1	HOOK
13	1	I BEEM
14	2	SIDE PLATE SUB-ASSEMBLY

TROLLEY EXPLODED ASSEMBLY
SCALE 1 / 4

DIGITAL DESIGN GRAPHICS TECHNOLOGY	NAME:	JIM KISIEL	DWG NAME:	TROLLEY	SHEET NO.
	COURSE:	DDG 120			2 OF 6
	DATE:	11/18/2010			

PARTS LIST		
ITEM	QTY	PART NUMBER
1	2	SIDE PLATE
2	2	GUIDE
3	4	RIVET, BUTTON HEAD
10	4	LOCKNUT
15	4	WHEEL SUB-ASSEMBLY

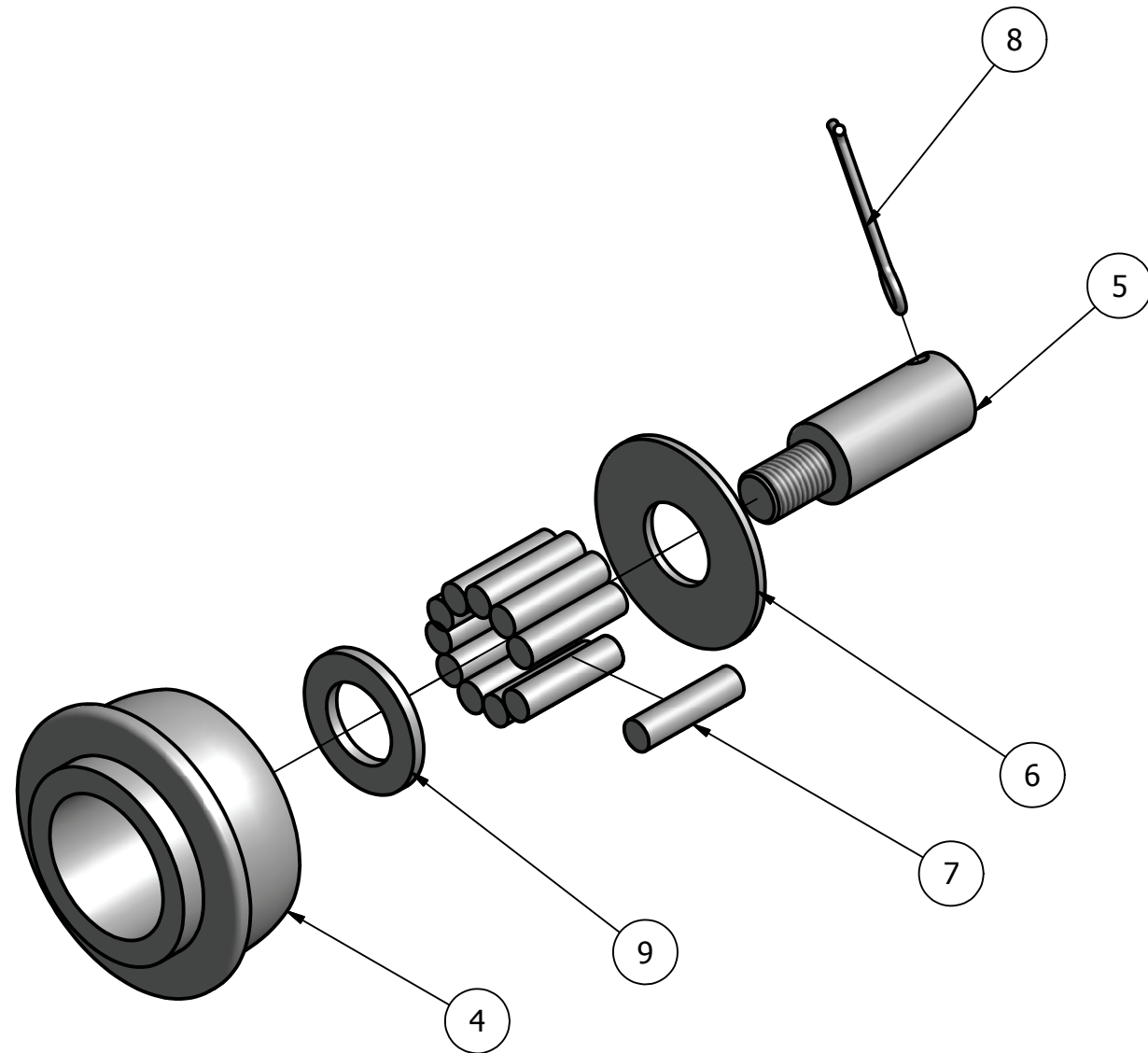


SIDE PLATE SUB-ASSEMBLY
SCALE 1 / 2

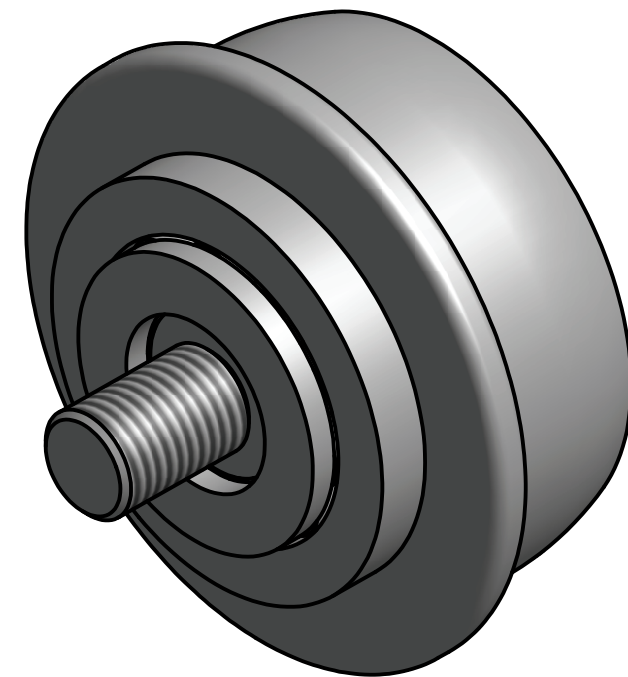
SIDE PLATE EXPLODED SUB-ASSEMBLY
SCALE 1 / 2

DIGITAL DESIGN GRAPHICS TECHNOLOGY	NAME:	JIM KISIEL	DWG NAME:	TROLLEY	SHEET NO.	3 OF 6
	COURSE:	DDG 120				
	DATE:	11/18/2010				

PARTS LIST		
ITEM	QTY	PART NUMBER
4	4	WHEEL
5	4	AXLE PT7
6	4	WASHER
7	48	ROLLER BEARING
8	6	COTTER PIN
9	12	ADJUSTING WASHER

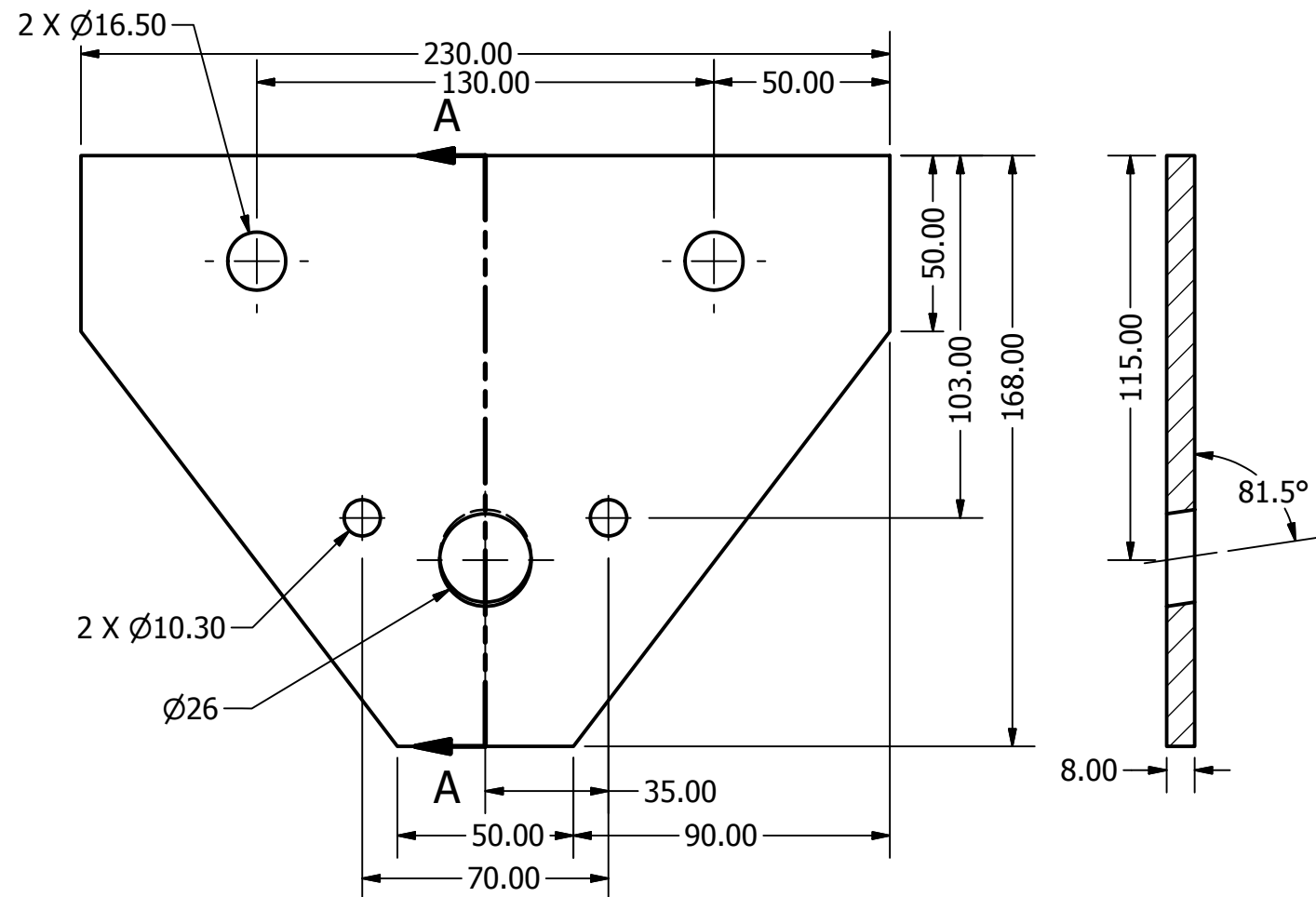


WHEEL EXPLODED SUB-ASSEMBLY
SCALE 1 / 2



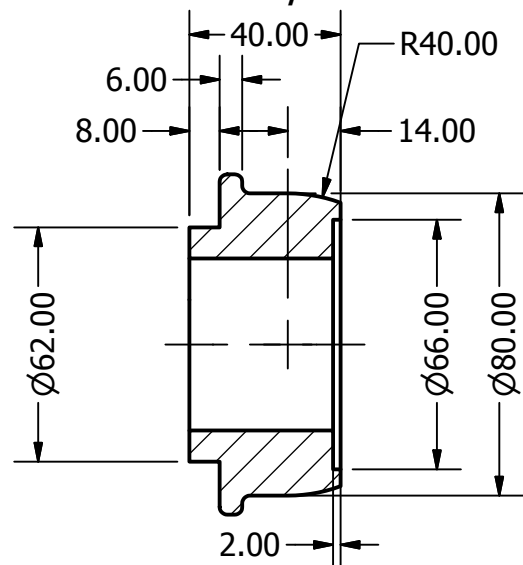
WHEEL SUB-ASSEMBLY
SCALE 1 : 1

DIGITAL DESIGN GRAPHICS TECHNOLOGY	NAME:	JIM KISIEL	DWG NAME:	TROLLEY	SHEET NO.
	COURSE:	DDG 120			4 OF 6
	DATE:	11/18/2010			

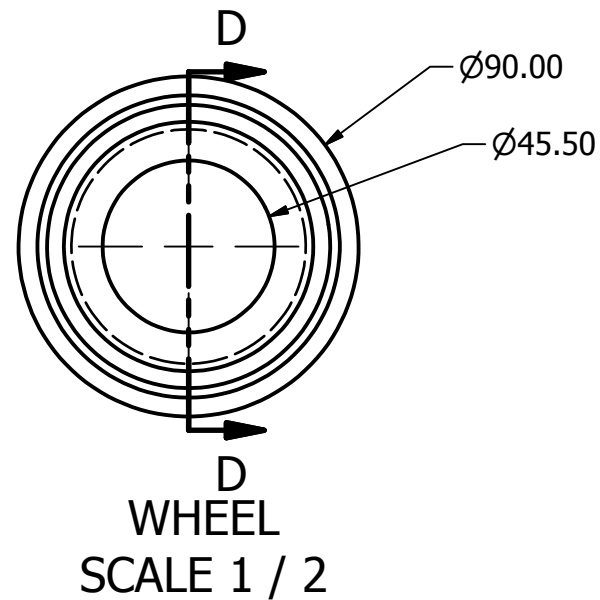


SIDE PLATE
SCALE 1 / 2

SECTION A-A
SCALE 1 / 2

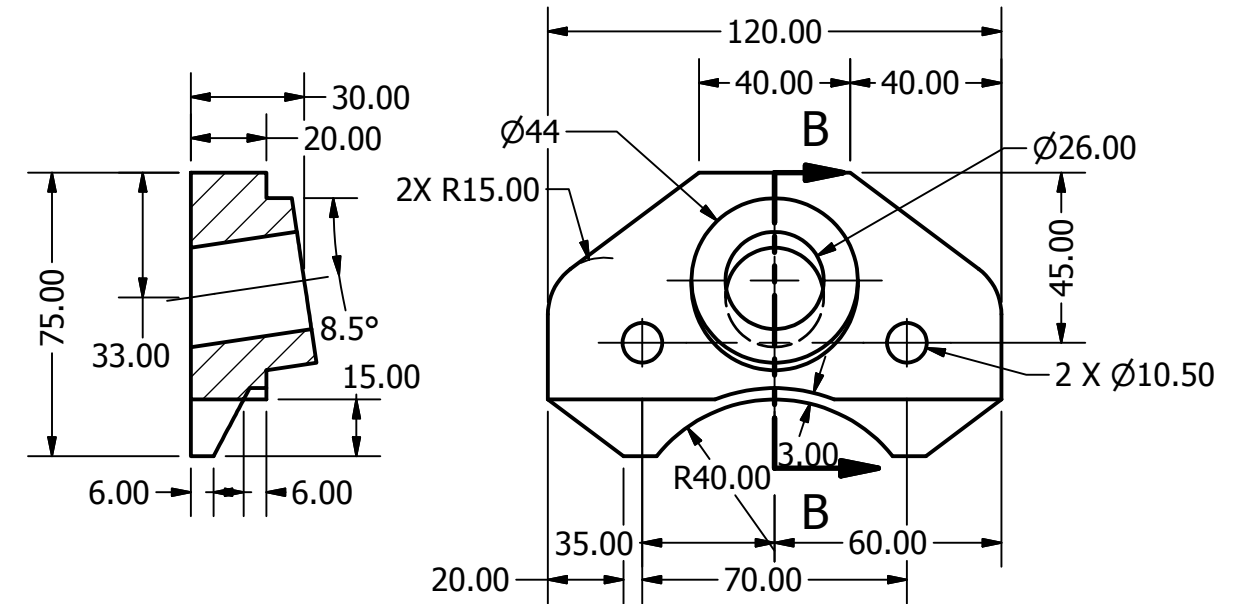


SECTION D-D
SCALE 1 / 2



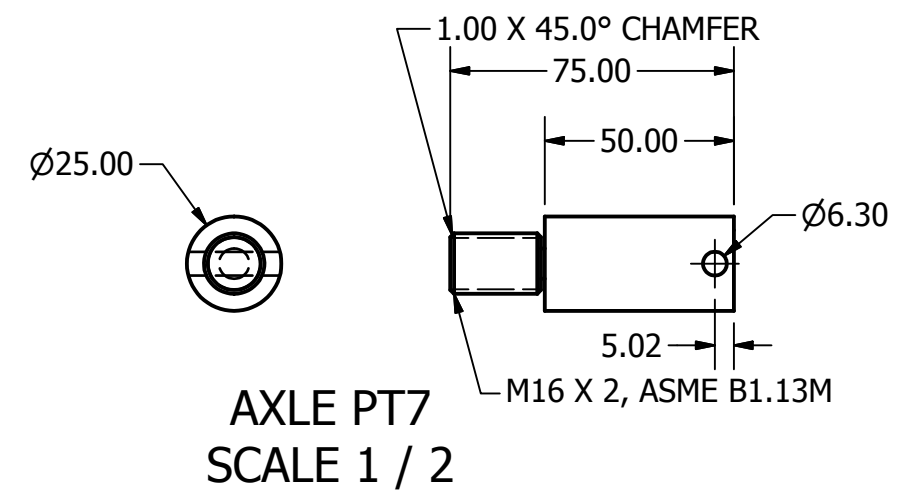
WHEEL
SCALE 1 / 2

PARTS LIST		
ITEM	QTY	PART NUMBER
1	2	SIDE PLATE
2	2	GUIDE
4	4	WHEEL
5	4	AXLE PT7



SECTION B-B
SCALE 1 / 2

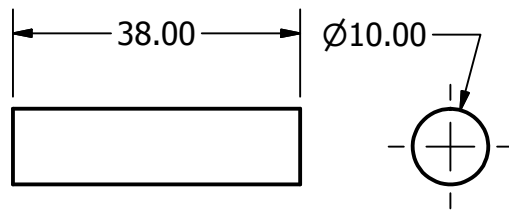
GUIDE
SCALE 1 / 2



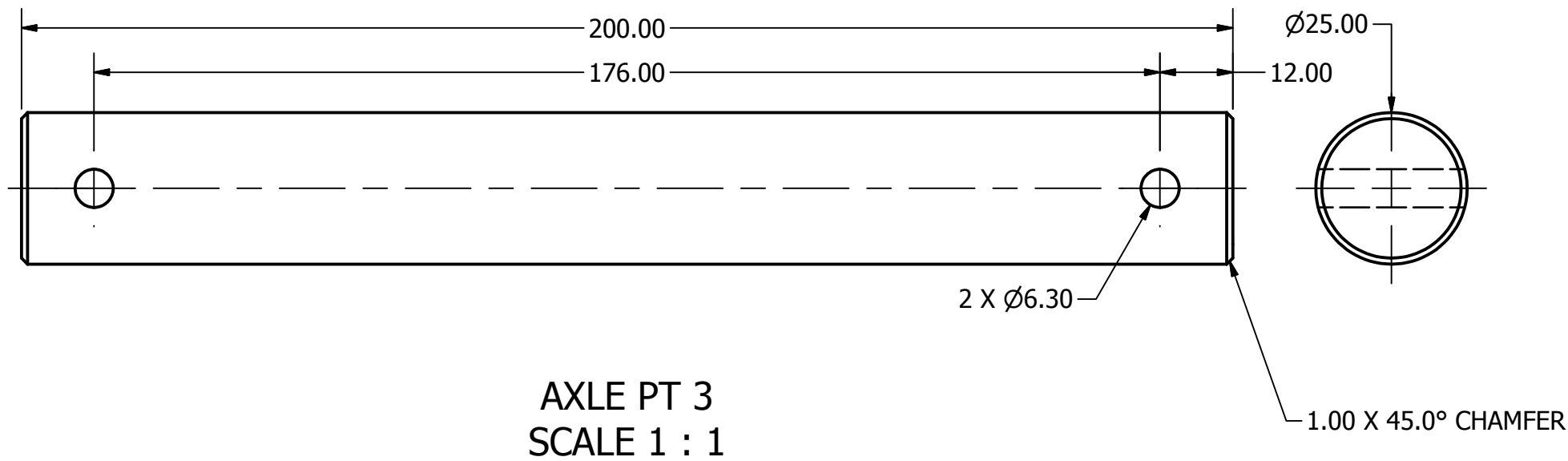
AXLE PT7
SCALE 1 / 2

DIGITAL DESIGN GRAPHICS TECHNOLOGY	NAME:	JIM KISIEL	DWG NAME:	TROLLEY	SHEET NO.
	COURSE:	DDG 120			5 OF 6
	DATE:	11/18/2010			

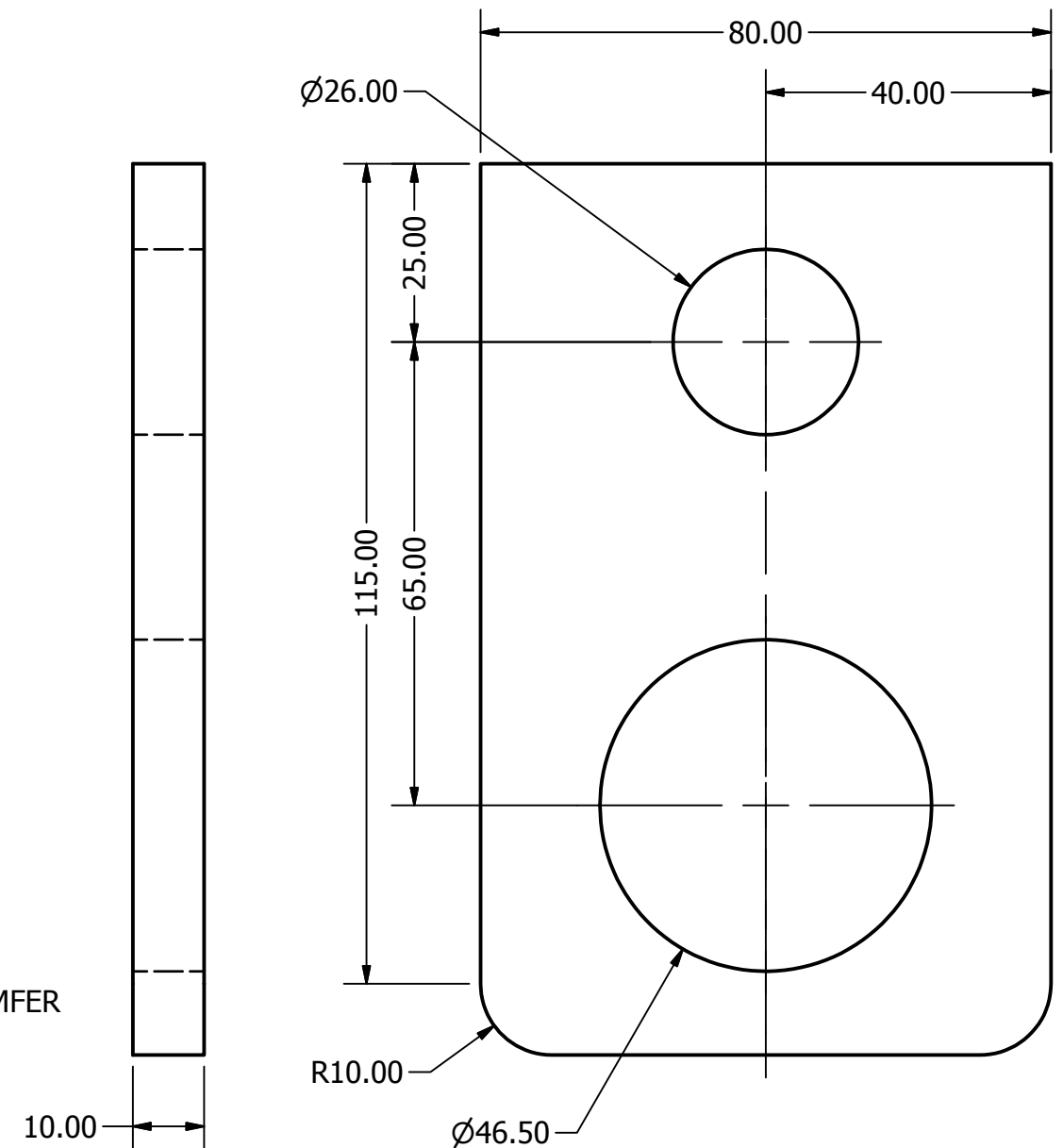
PARTS LIST		
ITEM	QTY	PART NUMBER
7	48	ROLLER BEARING
11	1	AXLE PT 3
12	1	HOOK



ROLLER BEARING
SCALE 1 : 1



AXLE PT 3
SCALE 1 : 1



HOOK
SCALE 1 : 1

DIGITAL DESIGN GRAPHICS TECHNOLOGY	NAME:	JIM KISIEL	DWG NAME:	TROLLEY	SHEET NO.	
	COURSE:	DDG 120	DATE:		11/18/2010	6 OF 6